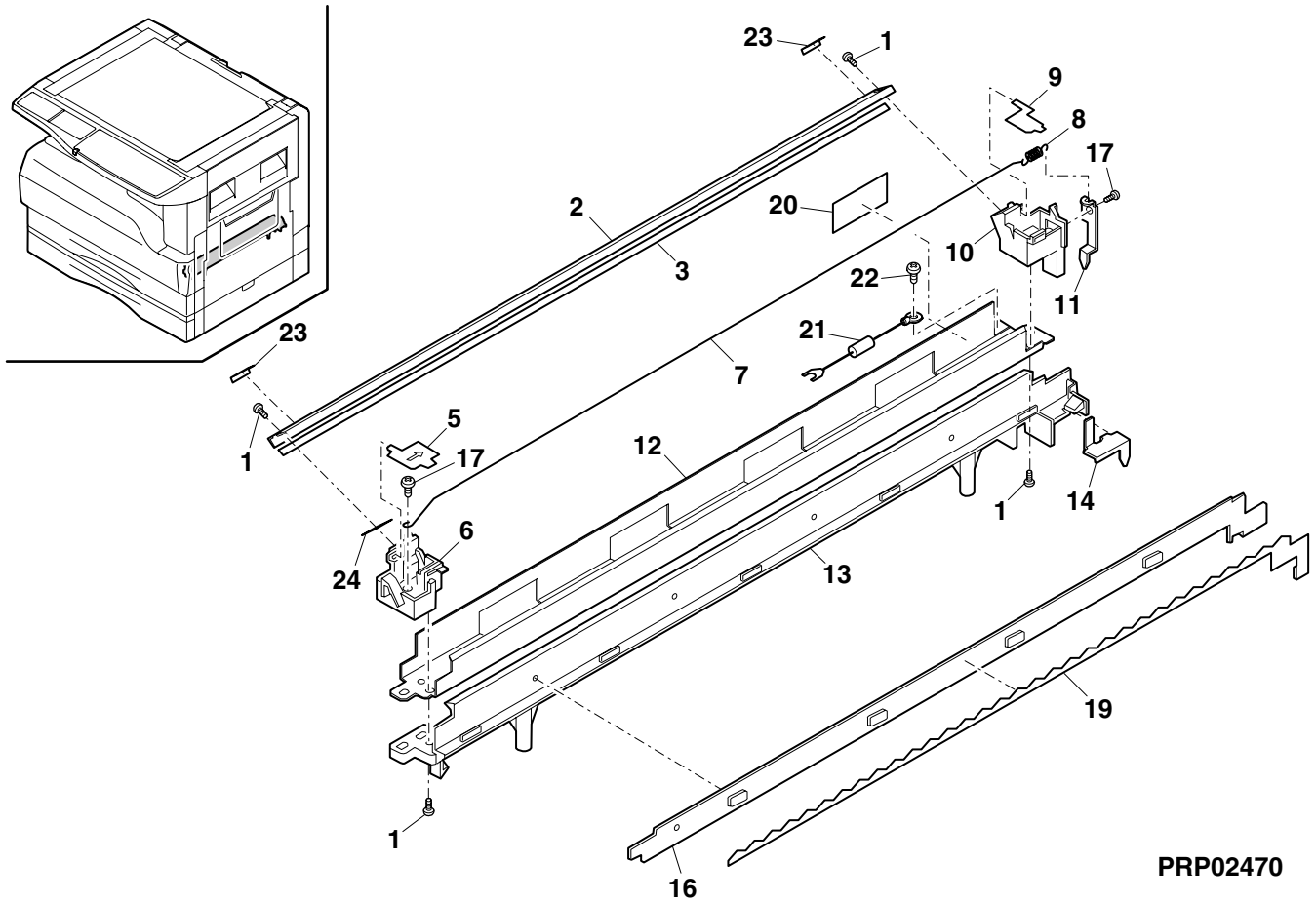


15 TC case unit

NO.	PARTS CODE	PRICE RANK	NEW MARK	PART RANK	DESCRIPTION
1	XEBSE30P08000	AA		C	Screw(3×8)
2	PGiDH0118QSZZ	AK		C	TC front guide
3	PSHEP0050QSZ1	AD		C	TC sheet
5	PSHEP0051QSZZ	AB		C	TC cover sheet F
6	LHLDZ0030QSZZ	AD		C	TC holder F
7	DWiR-0466CSZZ	BE		B	Charger wire
8	MSPRT0513FCZ1	AA		C	MC tension spring
9	PSHEP0052QSZZ	AB		C	TC cover sheet R
10	LHLDZ0032QSZZ	AD		C	TC holder R
11	QSLP-0009QSZZ	AD		C	TC electrode plate
12	PCASZ0013QSZZ	AP		C	TC case
13	LHLDZ0031QSZZ4	AH		C	Discharge holder
14	QSLP-0008QSZZ	AD		C	BC electrode plate
16	PGiDM0032QSZZ	AE		C	Separator guide
17	XEBSD30P06000	AA		C	Screw(3×6)
19	PSHEZ0125QSZZ	AE		C	Discharger delivery sheet
20	PSHEZ0434QSZZ	AC		C	TC case sheet
21	DUNTK0233QSZZ	CA		E	Resistor unit transfer
22	XBPSC30P06K00	AA		C	Screw(3×6K)
23	PSHEZ0435QSZ1	AA		C	Guide sheet
24	PSPAZ0040QSZZ	AB		C	Front guide spacer
	(Unit)				
901	CHLDZ0030RS54	BA		E	TC unit

15 TC case unit



PRP02470